



## CESA Abdu Active-wheelchair for kids & adolescents

### Basic configuration inclusive:

- Footrest
- Adjustable seat depth
- Seat- and back panel
- Wheelbase adjustment
- HOGGI light wheels + brake

Order form incl. Exportprices (€) valid until 31.12.2021, release date 02/2021

### Price:

<input type="checkbox"/> Offer	<input type="checkbox"/> Order
Order number / reference	Date
<input type="text"/>	<input type="text"/>
<b>Invoice address</b>	
Company	Customer number
<input type="text"/>	<input type="text"/>
Street	City, Zip code
<input type="text"/>	<input type="text"/>
E-Mail	Telephone
<input type="text"/>	<input type="text"/>
Fax	
<input type="text"/>	
<b>Delivery address</b>	
Company	
<input type="text"/>	
Street	City, Zip code
<input type="text"/>	<input type="text"/>



### Basic configuration

- Boxframe-Active wheelchair with 6 cm abduction. Aluminum construction powder coated with growth seat depth
- **3 frame sizes:**
- Size 1: Seat width (SW) 24 - 30 cm in 2 cm steps
- Size 2: Seat width (SW) 26 - 36 cm in 2 cm steps
- Size 3: Seat width (SW) 30 - 38 cm in 2 cm steps
- Convertible to other seat width by part replacement
- height 36 – 49 cm
- seat angle 0°-12°

- seat frame angle 100°
- Active degree change 1 – 8 cm
- back angle 80 - 105°
- Clothes cover
- **HOGGI** light rear wheels including push rims
- **HOGGI** light wheel locks
- Camber 3°, 6°, 9° or 12°
- Load capacity: 60 kg (size 1), 80 kg (size 2), 100 kg (size 3)

### Minimum information (Without this information your order can not be handled.)

Frame colour	<input type="text"/>	(Please see table „frame colours“)
Seat width	<input type="checkbox"/> 24 <input type="checkbox"/> 26 <input type="checkbox"/> 28 <input type="checkbox"/> 30 <input type="checkbox"/> 32 <input type="checkbox"/> 34 <input type="checkbox"/> 36 <input type="checkbox"/> 38	
Camber	<input type="checkbox"/> 3° (3274-1291) <input type="checkbox"/> 6° (3274-1292) <input type="checkbox"/> 9° (3274-1293) <input type="checkbox"/> 12° (3274-1294)	
Seat height	<input type="text"/> (36-46)	Seat angle* <input type="text"/> (0° - 12°)

\*Please see attachment of "seat measurements"

### Presettings

Seat depth (SD) <sup>1</sup>	<input type="text"/> (24 – 44 cm)	Lower leg length (LLL) <sup>4</sup>	<input type="text"/> (15 - 46 cm)
Backrest angle <sup>2</sup>	<input type="text"/> (80 - 105°)		
Active degree <sup>3</sup>	<input type="text"/> (1 - 8 cm)		

<sup>1</sup> Please see table seat depth

<sup>2</sup> Angle compared to the vertical line

<sup>3</sup> Please see drawing "active degree"

<sup>4</sup> Please see table Lower leg length

At missing specification we will adjust to middle sized measurements

**Basic variation**

	Order no.	Colour	Description	Qty.
	<input type="checkbox"/> 3227-00SB		<b>CESA Abdu size 1</b> (20")	<b>1 pc.</b>
	<input type="checkbox"/> 3228-00SB		<b>CESA Abdu size 2</b> (22")	<b>1 pc.</b>
	<input type="checkbox"/> 3229-00SB		<b>CESA Abdu size 3</b> (24")	<b>1 pc.</b>
with	<input type="checkbox"/> 3220-21SB	052	Seat panel	<b>01</b> 1 set incl.
or	<input type="checkbox"/> 3220-2199		Without Seat panel	1 set
	<input type="checkbox"/> 3220-2110		Mounting set for custom made seat panel	1 set
with	<input type="checkbox"/> 3220-31SB		Back base "rigid" (back height 20)	<b>02</b> 1 set incl.
or	<input type="checkbox"/> 3220-32SB		Back base "rigid" (back height 25)	1 set incl.
or	<input type="checkbox"/> 3220-33SB		Back base "rigid" (back height 30)	1 set incl.
or	<input type="checkbox"/> 3220-34SB		Back base "rigid" (back height 35)	1 set incl.
or	<input type="checkbox"/> 3220-35SB		Back base "foldable & angle adjustable" (back height 20) <b>(Upcharge)</b>	<b>03</b> 1 set
or	<input type="checkbox"/> 3220-35SB		Back base "foldable & angle adjustable" (back height 25) <b>(Upcharge)</b>	1 set
or	<input type="checkbox"/> 3220-37SB		Back base "foldable & angle adjustable" (back height 30) <b>(Upcharge)</b>	1 set
or	<input type="checkbox"/> 3220-38SB		Back base "foldable & angle adjustable" (back height 35) <b>(Upcharge)</b>	1 set
<b>(back angle 78-106 ° in 6 cm steps)</b>				
with	<input type="checkbox"/> 3220-51SB		Back panel in frame color (back height 20) SW24-36 only	<b>04</b> 1 set incl.
or	<input type="checkbox"/> 3220-52SB		Back panel in frame color (back height 25)	1 set incl.
or	<input type="checkbox"/> 3220-53SB		Back panel in frame color (back height 30)	1 set incl.
or	<input type="checkbox"/> 3220-54SB		Back panel in frame color (back height 35)	1 set incl.
or	<input type="checkbox"/> 3220-56SB		Nylon back cover (back height 25-35*)	<b>05</b> 1 set incl.
or	<input type="checkbox"/> 3220-57SB		Nylon back cover (back height 30-40*)	1 set incl.
or	<input type="checkbox"/> 3220-58SB		Nylon back cover (back height 35-40*)	1 set incl.
<b>* height adjustment only with 3251-2175 or 3261-5102</b>				
or	<input type="checkbox"/> 3220-5199		Without back or back cover	1 set
	<input type="checkbox"/> 3220-5110		Mounting set for custom made back panel	1 set
with	<input type="checkbox"/> 3227-48SB		Pipe bracket footrest standard	<b>06</b> 1 set incl.
or	<input type="checkbox"/> 3227-41SB		Footrest system standard, one piece, angle adjustable, fixed	<b>07</b> 1 set incl.
or	<input type="checkbox"/> 3227-43SB		Footrest system, one piece, angle adjustable, foldable <b>(Upcharge)</b>	<b>08</b> 1 set
or	<input type="checkbox"/> 3227-45SB		Footrest system, two piece, angle adjustable, foldable <b>(Upcharge)</b>	<b>09</b> 1 pair
or	<input type="checkbox"/> 3227-46SB		Footrest system, one piece, angle adjustable, for short LLL* <b>(Upcharge)</b>	<b>10</b> 1 set
or	<input type="checkbox"/> 3227-47SB		Footrest system, one piece, angle adjustable, for short LLL* <b>(Upcharge)</b>	1 set
<b>* only up to SW 36</b>				
or	<input type="checkbox"/> 3227-40SB		Footrest system, one piece foot plate, fold backwards	<b>11</b> 1 set
	<input type="checkbox"/> 3220-880x	306	Calf strap with upholstery, length according to seat width	<b>12</b> 1 set
	<input type="checkbox"/> 3220-7300		Tie down kit (minimum back rest height 30) *	<b>13</b> 1 set
	<input type="checkbox"/> 3274-7301		Back rest extension (with back panel only)	1 set
	<input type="checkbox"/> 3274-7370	306	Cushion for back rest extension <b>(Upcharge)</b>	1 pc
<b>* Use with back rest extension if there is no support for shoulder and head mounted in the transport vehicle.</b>				
with	<input type="checkbox"/> 3275-52SW		Push-bar	<b>14</b> 1 pc.
or	<input type="checkbox"/> 3275-53SW		Push-handles	<b>15</b> 1 pc
	<input type="checkbox"/> 3251-2175		Teleskopik tubes, plugged into in back tubes for back height adjustment (from BH 25) *	<b>16</b> 1 set
or	<input type="checkbox"/> 3261-5102		Single push handle, plugged into in back tubes (from back height 25)	<b>17</b> 1 set
or	<input type="checkbox"/> 3281-5201		Standard single push handles 90°, size 1	<b>18</b> 1 set
or	<input type="checkbox"/> 3281-5202		Standard single push handles 90°, size 2	1 set
or	<input type="checkbox"/> 3275-5501		One hand push-handle (to seat width 36)	<b>19</b> 1 pc
<b>* only in connection with push-bar, push-handles or one hand push-handle</b>				

**Brakes, fender**

	Order no.	Colour Description	Qty.	
with	<input type="checkbox"/> 3227-1700	<b>HOGGI</b> light brake	<b>20</b> 1 set	incl.
or	<input type="checkbox"/> 3228-1700	Standard brakes <b>CESA Abdu</b>	1 set	incl.
with		Clothes cover	1 set	incl.
or	<input type="checkbox"/> 3275-160x	Fender * <b>(Upcharge)</b>	<b>21</b> 1 set	
or	<input type="checkbox"/> 3276-160x	Fender with height adjustable & detachable arm rests * <b>(Upcharge)</b>	<b>22</b> 1 set	
or	<input type="checkbox"/> 3275-169x	Fender with integrated wheel lock levers *	<b>23</b> 1 set	
with	<input type="checkbox"/> 7000-0051	PU-Armrest pads, 235 mm long	1 pair	incl.
or	<input type="checkbox"/> 7000-0052	PU-Armrest pads, 270 mm long	1 pair	incl.
	<input type="checkbox"/> 3240-8202	Therapy tray size 2, SW 24 and 26 cm **	<b>24</b> 1 pc	
	<input type="checkbox"/> 3240-8203	Therapy tray size 3, SW 28, 30 and 32 cm **	1 pc	
	<input type="checkbox"/> 3240-8204	Therapy tray size 4, SW 34, 36 and 38 cm **	1 pc	
* for 22 " must be selected SA-0512 for SH 43 + 45				
** only in conjunction with arm rests				

**Rear wheels**

	Order no.	Colour Description	Qty.	
with	<input type="checkbox"/> 1296-0xxx	Rear wheel <b>HOGGI</b> light	<b>25</b> 1 set	incl.
or	<input type="checkbox"/> 1297-1xxx	Rear wheel <b>HOGGI</b> light with drum brakes* <b>(Upcharge)</b>	<b>26</b> 1 set	
* in combination with push-bar or push-handles				
with	<input type="checkbox"/> 129x-xx1x	Pneumatic tires 1"	1 set	incl.
or	<input type="checkbox"/> 129x-xx2x	Flat free tires (20x1 3/8", 22x1" and 24x1")	1 set	incl.
with	<input type="checkbox"/> 129x-xxx0	Without push-rims		
or	<input type="checkbox"/> 129x-xxx1	Push rims aluminium anodised, "standard" mounting	<b>27</b> 1 set	incl.
or	<input type="checkbox"/> 129x-xxx2	Push rims aluminium anodised, "high" mounting	<b>28</b> 1 set	incl.
or	<input type="checkbox"/> 129x-xxx3	Push rims stainless steel, "standard" mounting <b>(Upcharge)</b>	<b>29</b> 1 set	
or	<input type="checkbox"/> 129x-xxx4	Push rims stainless steel, "high" mounting <b>(Upcharge)</b>	1 set	
with		<input type="checkbox"/> Push-rim mounting "narrow"		
or		<input type="checkbox"/> Push-rim mounting "wide"		
with	<input type="checkbox"/> 1296-4211	Pneumatic wheel 20x1" <b>HOGGI</b> Extra light * <b>(Upcharge)</b>	<b>30</b> 1 set	
with	<input type="checkbox"/> 1296-4311	Pneumatic wheel 22x1" <b>HOGGI</b> Extra light * <b>(Upcharge)</b>	1 set	
or	<input type="checkbox"/> 1296-4411	Pneumatic wheel 24x1" <b>HOGGI</b> Extra light * <b>(Upcharge)</b>	1 set	
* incl. black alu push-rim				

**Spoke guards**

	Order no.	Colour Description	Qty.	
	<input type="checkbox"/> 1204-101x	Spoke guard, transparent	<b>31</b> 1 set	
	<input type="checkbox"/> 1204-101x	Spoke guard, transparent, for drum brakes wheels	1 set	
	<input type="checkbox"/> 1204-101x	Spoke guard, printed	<b>32</b> 1 set	
	<input type="checkbox"/> 1204-101x	Spoke guard, printed, for drum brakes *	1 set	
* please enter code of your print design see attachment or brochure "spoke guard"				
* printed spoke guards are not available for 20" wheels				

**Front castors**

	Order no.	Colour Description	Qty.	
with	<input type="checkbox"/> 1250-1002S	Wheel with rubber tire, black 100 x 32 mm *	<b>33</b> 1 set	incl.
or	<input type="checkbox"/> 1250-1003S	Wheel with rubber tire, black 125 x 32 mm	1 set	incl.
or	<input type="checkbox"/> 1250-1005S	Wheel with rubber tire, black 140 x 40 mm	1 set	incl.
or	<input type="checkbox"/> 1249-1005	Skater wheel with LED 100 x 24 mm * <b>(Upcharge)</b>	<b>34</b> 1 set	
or	<input type="checkbox"/> 1249-1006	Skater wheel with LED 125 x 24 mm <b>(Upcharge)</b>	1 set	
or	<input type="checkbox"/> 1221-1003	PU-wheel with plastic design rim 100 x 34 mm* <b>(Upcharge)</b>	<b>35</b> 1 set	
or	<input type="checkbox"/> 1221-1004	PU-wheel with plastic design rim 125 x 34 mm <b>(Upcharge)</b>	1 set	
* 100 mm wheels not with camber 3°				

## Accessories

	Order no.	Colour Description	Qty.
<input type="checkbox"/>	3220-1801	Anti tip, swingaway, assembly left	<b>36</b> 1 pc.
<input type="checkbox"/>	3220-1802	Anti tip, swingaway, assembly right	1 pc.
<input type="checkbox"/>	3275-1803	Tip assist left	<b>37</b> 1 pc.
<input type="checkbox"/>	3275-1804	Tip assist right	1 pc.
<input type="checkbox"/>	3275-1910	Bumper wheels	<b>38</b> 1 pc.
<input type="checkbox"/>	1204-101x	Push-rim cover, silicone black fluted	<b>39</b> 1 set
<input type="checkbox"/>	3222-1xSB	Seat width extension kit of 2 cm, "rigid" back base, back height □ 6 = BH 20, □ 7= BH 25, □ 8 = BH 30, □ 9 = BH 35	1 set
<input type="checkbox"/>	3229-1xSB	Seat width extension kit of 2 cm, "foldable" back base, back height □ 6 = BH 20, □ 7= BH 25, □ 8 = BH 30, □ 9 = BH 35	1 set
<input type="checkbox"/>	3201-6400	Ankle hugger, size 1	<b>40</b> 1 pair
<input type="checkbox"/>	3203-6400	Ankle hugger, size 2	1 pair
<input type="checkbox"/>	3220-6100	Lap belt, black	<b>41</b> 1 pc.
<input type="checkbox"/>	3220-6702	4-Point lap belt, size S (SW 24 - 30)	<b>42</b> 1 pc.
<input type="checkbox"/>	3220-6703	4-Point lap belt, size M (SW 28 - 36)	1 pc.
<input type="checkbox"/>	3220-6704	4-Point lap belt, size L (SW 34 - 42)	1 pc.
<input type="checkbox"/>	3251-7600	Edge protector for back rest tubes with nylon back cover	<b>43</b> 1 Set

## Accessoires for Seat- and Back panel

	Order no.	Colour Description	Qty.
<input type="checkbox"/>	3231-7800	323 Abduction block size 1, swing away, detachable, (9 x 6 x 9 cm)	<b>44</b> 1 set
<input type="checkbox"/>	3231-7900	323 Abduction block size 2 swing away, detachable, (11 x 8 x 10 cm)	1 set
<input type="checkbox"/>	3233-7800	323 Abduction block size 3 swing away, detachable, (12 x 9 x 10 cm)	1 set
<input type="checkbox"/>	3220-71SB	306 Seat cushion; 3 cm thick	<b>45</b> 1 pc.
<input type="checkbox"/>	3276-7100	306 Back cushion for back panel, 2,5 cm thick	<b>46</b> 1 pc.
<input type="checkbox"/>	3201-3830	Universal headrest bracket (3245-7800 or third-party product) *	<b>47</b> 1 pc.
<input type="checkbox"/>	3245-7800	306 Headrest with occiput upholstery	<b>48</b> 1 pc.

\* starting from backrest height 30 cm

## Custom-made

	Order no.	Colour Description	Qty.
<input type="checkbox"/>	3220-80SW	322 Contoured seat cushion with cover, black, SW 24 - 32	<b>49</b> 1 pc.
<input type="checkbox"/>	3220-80SW	322 Contoured seat cushion with cover, black, SW 34 - 38	1 pc.
<input type="checkbox"/>	SA-0286/2-KP	Abduction block 30 mm height extension kit *	1 set
<b>* only in combination with abduction block and contoured seat cushion</b>			
<input type="checkbox"/>	SA-0210-MP	Special Frame colour, RAL code only	<b>(Upcharge)</b> 1 pc.
<input type="checkbox"/>	SA-0500-MP	Additional coating "silver glitter effect"	<b>(Upcharge)</b> 1 pc.
<input type="checkbox"/>	6999-0014	060 Special Frame colour, Copper Gold	<b>(Upcharge)</b> 1 pc.
<input type="checkbox"/>	6999-0017	Castor forks and camber adapter powder coated according to customer requirements * (no glitter)	<b>(Upcharge)</b> 1 set
<input type="checkbox"/>	SA-0390	Upholstery in special colour *	
<b>* please enter colour code or upholstery code respectively</b>			
<input type="checkbox"/>	SA-0572-XXS-MP	Aluminum hand rim with plastic anti-slip coating, black, standard mounting *	<b>(Upcharge)</b> <b>50</b> 1 pair
<input type="checkbox"/>	SA-0572-XXH-MP	Aluminum hand rim with plastic anti-slip coating, black, high mounting *	<b>(Upcharge)</b> 1 pair
<input type="checkbox"/>	SA-0572-F-MP	Plastic anti-slip coating in custom colour: Pure white (RAL 9010), Silver grey (RAL 7001), Sky blue (RAL 5015), Traffic red (RAL 3020), Pure orange (RAL 2004)*	<b>(Upcharge)</b> <b>51</b> 1 pair
<b>* only in combination with HOGGI light rear wheels</b>			
<input type="checkbox"/>	SA-008x-MP	GOLZ Rehavolution wheels with integrated push rims	<b>52</b>
<input type="checkbox"/>	SA-0093-MP	Maxgrepp Original cell rubber coated push rims	<b>(Upcharge)</b> <b>53</b> 1 set
<input type="checkbox"/>	SA-0094-MP	Maxgrepp Ergo Para (closed push rims)	<b>(Upcharge)</b> <b>54</b> 1 set
<input type="checkbox"/>	SA-0095-MP	Maxgrepp Ergo Para CP (advanced closed push rims)	<b>(Upcharge)</b> <b>55</b> 1 set
<input type="checkbox"/>	SA-0528-MP	Preparation for electric drive Alber "e-fix"	<b>(Upcharge)</b> 1 set
<input type="checkbox"/>	SA-0528/1-MP	Tie down kit in combination with auxiliary drives	<b>(Upcharge)</b> 1 set
<input type="checkbox"/>	SA-0528/2-MP	Preparation for electric drive Alber "Twion, e-motion"	<b>(Upcharge)</b> <b>56</b> 1 set
<input type="checkbox"/>	SA-0315/7-MP	Reconstruction CESA for ProActiv One hand drive	<b>(Upcharge)</b> <b>57</b>

## Upholstery colours

**306 and 322** Black checked

**321** Spacer fabric (**special colour**)

**323** Iron grey (**special colour**)

**334** Sand (**special colour**)

**335**

**336**

**314**

Turquoise (**special colour**)

Pink (**special colour**)

Red (**special colour**)

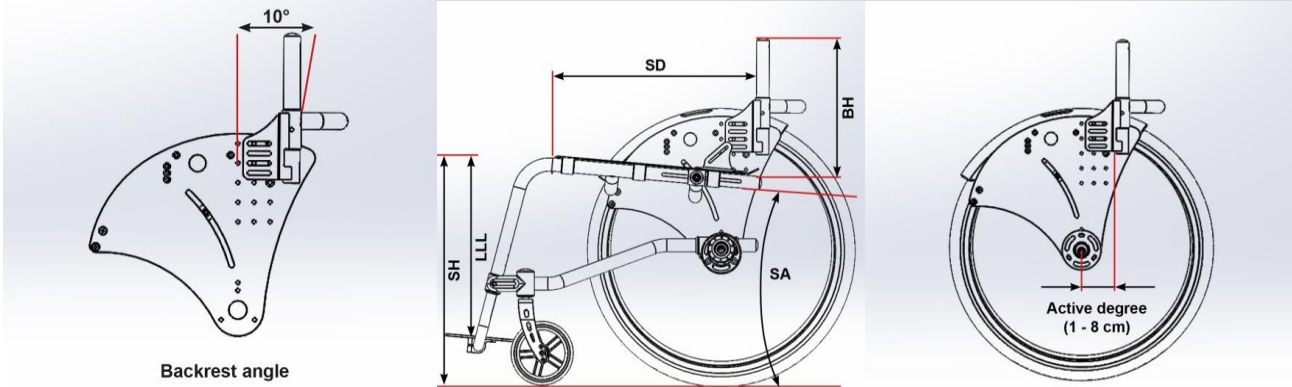
## Frame colours

<b>001</b> Black (RAL 9005)	<b>020</b> Yellow green (RAL 6018)	<b>028</b> Pearl violet (RAL 4011)	<b>053</b> Light green (RAL 6027)
<b>002</b> Silver	<b>021</b> Grey aluminium (RAL 9007)	<b>029</b> Pearl beige (RAL 1035)	<b>054</b> Ocean blue (RAL 5020)
<b>003</b> Pearl ruby red (RAL 3032)	<b>022</b> White (RAL 9003)	<b>032</b> Black dull matt (RAL 9005)	<b>056</b> Turquoise blue (RAL 5018)
<b>004</b> Pearl night blue (RAL 5026)	<b>023</b> Pure orange (RAL 2004)	<b>039</b> Signal violet (RAL 4008)	<b>057</b> Iron sparkling dark light
<b>005</b> Pearl gentian blue (RAL 5025)	<b>024</b> Sparkling iron effect	<b>040</b> Night blue (RAL 5022)	<b>058</b> Salmon orange (RAL 2012)
<b>017</b> Traffic yellow (RAL 1023)	<b>025</b> Signal blue (RAL 5005)	<b>047</b> Luminous yellow (RAL 1026)	<b>059</b> Pastel blue (RAL 5024)
<b>018</b> Flame red (RAL 3000)	<b>026</b> Vermillion (RAL 2002)	<b>048</b> Luminous red (RAL 3024)	
<b>019</b> Sky blue (RAL 5015)	<b>027</b> Heather violet (RAL 4003)	<b>050</b> White matt (RAL 9003)	

**SA-0500-MP** additional coating "silver glitter effect", **Upcharge**

**SA-0210-MP** Special colours on request (Enter RAL code , **Upcharge**

## How to measure, active degree and back angle



**SH** = Seat height **LLL** = Lower leg length **SD** = seat depth **BH** = Backrest height **SA** = Seat angle  
(All measurements are without seat or back rest upholsteries)

## Seat height and lower leg length

		CESA-Abdu Seat height and Lower leg length depending on frame size					
Frame size	SH	Foot rest versions					
		3227-41SB	3227-43SB	3227-45SB	3227-46SB	3227-47SB	3227-40SB
		Footrest system one piece angle adjustable fixed	Footrest system one piece angle adjustable foldable	Footrest system two piece angle adjustable foldable	Footrest system one piece angle adjustable for short LLL	Footrest system one piece angle adjustable for short LLL	Footrest system one piece fold backwards
CESA-Abdu size 1 (SA 5°)	36	27 - 33	27 - 33	27 - 33	15 - 22	19 - 25	27 - 34
	38	27 - 35	27 - 35	27 - 35	15 - 24	19 - 27	27 - 36
	40	27 - 37	27 - 37	27 - 37	15 - 26	19 - 29	27 - 38
	42	27 - 39	27 - 39	27 - 39	15 - 28	19 - 31	27 - 40
CESA-Abdu size 2 (SA 5°)	37	30 - 34	30 - 34	30 - 34	19 - 24	23 - 27	30 - 35
	39	30 - 36	30 - 36	30 - 36	19 - 26	23 - 29	30 - 37
	41	30 - 38	30 - 38	30 - 38	19 - 28	23 - 31	30 - 39
	43	30 - 40	30 - 40	30 - 40	19 - 30	23 - 33	30 - 41
CESA-Abdu size 3 (SA 5°)	45	30 - 42	30 - 42	30 - 42	19 - 32	23 - 35	30 - 43
	41	34 - 40	34 - 40	34 - 40	23 - 28	27 - 32	34 - 41
	43	34 - 42	34 - 42	34 - 42	23 - 30	27 - 34	34 - 43
	45	34 - 44	34 - 44	34 - 44	23 - 32	27 - 36	34 - 45
	47	34 - 44	34 - 44	34 - 44	23 - 34	27 - 38	34 - 45
	49	34 - 46	34 - 46	34 - 46	23 - 36	27 - 40	34 - 47



Seat width, seat depth and active degree

CESA-Abdu Seat depth range depending on seat width and active degree (AD)												
	AD	Seat width (cm)										
		24	26	28	30	32	34	36	38			
size 1 (SH 38, SA 5°)	1	24-30	24-32	26-34	28-36							
	2	25-30	25-32	26-34	28-36							
	3	26-30	26-32	26-34	28-36							
	4	27-30	27-32	27-34	28-36							
	5	28-30	28-32	28-34	28-36							
	6	29-30	29-32	29-34	29-36							
	7	30-30	30-32	30-34	30-36							
	8		31-32	31-34	31-36							
size 2 (SH 41, SA 5°)	1		26-32	26-34	28-36	30-38	32-40	34-42				
	2		26-32	26-34	28-36	30-38	32-40	34-42				
	3		27-32	27-34	28-36	30-38	32-40	34-42				
	4		28-32	28-34	28-36	30-38	32-40	34-42				
	5		29-32	29-34	29-36	30-38	32-40	34-42				
	6		30-32	30-34	30-36	30-38	32-40	34-42				
	7		31-32	31-34	31-36	31-38	32-40	34-42				
	8		32	32-34	32-36	32-38	32-40	34-42				
size 3 (SH 45, SA 5°)	1				32-36	32-38	32-40	34-42	36-44			
	2				32-36	32-38	32-40	34-42	36-44			
	3				32-36	32-38	32-40	34-42	36-44			
	4				33-36	33-38	33-40	34-42	36-44			
	5				34-36	34-38	34-40	34-42	36-44			
	6				35-36	35-38	35-40	35-42	36-44			
	7				36	36-38	36-40	36-42	36-44			
	8					37-38	37-40	37-42	37-44			

Spoke guard print design (for detailed images see attachment or brochure "spoke guard")



Colour code

201	HOGGI blue	205	Train
202	Wonderland	206	Dragon
203	Mouse	207	Circus
204	Water world		

\* for detailed images see attachment or brochure "spoke guard"

# CONFIGURATIONS // ACCESSORIES // CESA Abdu



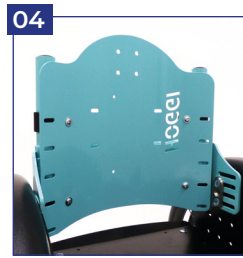
01 Seat panel



02 Back base, rigid



03 Back base, foldable and angle adjustable



04 Back panel in frame color



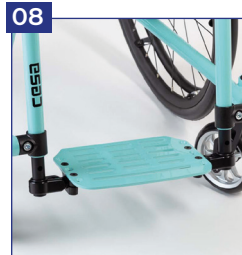
05 Nylon back cover



06 Pipe bracket footrest standard



07 Footrest system, one piece



08 Footrest system, foldable



09 Footrest system, two piece



10 Footrest system, one piece, for short LLL



11 One piece foot plate, fold backwards



12 Calf strap with upholstery



13 Tie down kit



14 Push-bar



15 Push-handles



16 Teleskopik tubes



17 Single push handles



18 Single push handles 90°



19 One hand push-handle



20 HOGGI light brake



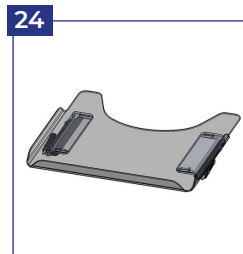
21 Fender



22 Fender with arm rests



23 Fender with integrated wheel lock levers



24 Therapy tray



25 Rear wheel HOGGI light



26 Rear wheel HOGGI light with drum brakes



27 Push rims aluminium anodised, standard



28 Push rims aluminium anodised, high



29 Push rims stainless steel



30 HOGGI Extra light



# CONFIGURATIONS // ACCESSORIES // CESA Abdu



Spoke guard, transparent



Spoke guard, printed



Wheel with rubber tire



Skater wheel with LED



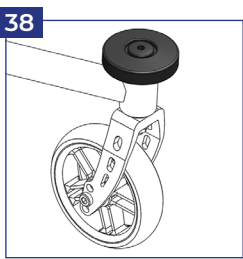
PU-wheel with plastic design rim



Anti tip



Tip assist



Bumper wheels



Push-rim cover



Ankle hugger



Lap belt



4-Point lap belt



Edge protector



Abduction block



Seat cushion



Back cushion



Universal headrest bracket



Headrest with occiput upholstery



Contoured seat cushion with cover



Aluminum hand rim with plastic anti-slip coating



Aluminum hand rim with plastic anti-slip coating



GOLZ Revolution wheels



Maxgrepp Original push rims



Maxgrepp Ergo Para push rims



Maxgrepp Ergo Para CP push rims



Preparation for electric drive „TWION“



Preparation for one-hand drive „ProActive“